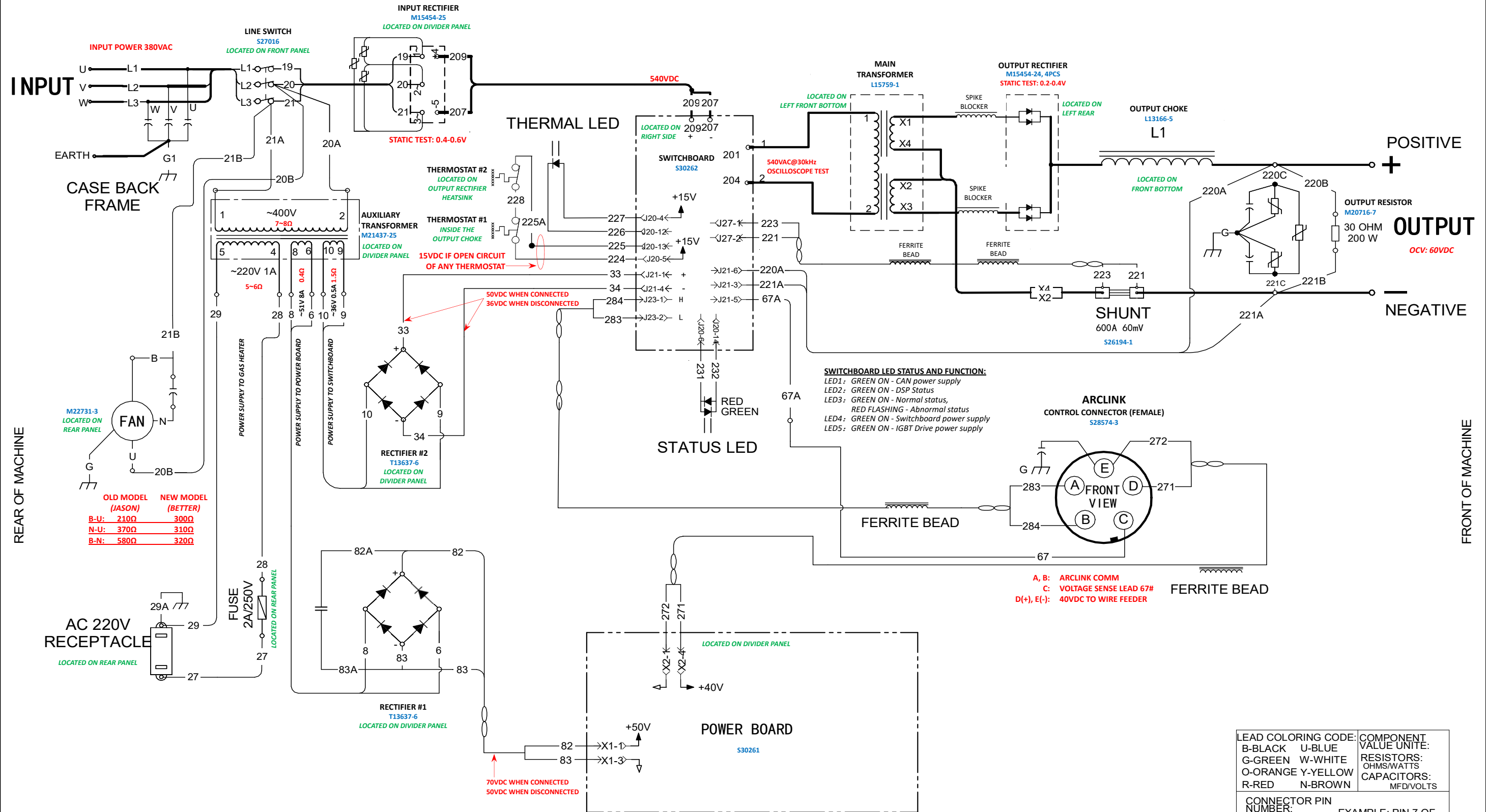


OPTIMARC 500PA WIRING SCHEMATIC

CODE: 76347



REAR OF MACHINE

FRONT OF MACHINE

	OLD MODEL (JASON)	NEW MODEL (BETTER)
B-U:	210Ω	300Ω
N-U:	370Ω	310Ω
B-N:	580Ω	320Ω

- SWITCHBOARD LED STATUS AND FUNCTION:**
- LED1: GREEN ON - CAN power supply
 - LED2: GREEN ON - DSP Status
 - LED3: GREEN ON - Normal status, RED FLASHING - Abnormal status
 - LED4: GREEN ON - Switchboard power supply
 - LED5: GREEN ON - IGBT Drive power supply

- ARCLINK CONTROL CONNECTOR (FEMALE) S28574-3**
- A, B: ARCLINK COMM
 - C: VOLTAGE SENSE LEAD 67#
 - D(+), E(-): 40VDC TO WIRE FEEDER

LEAD COLORING CODE:	COMPONENT VALUE UNITS:
B-BLACK U-BLUE	RESISTORS: OHMS/WATTS
G-GREEN W-WHITE	CAPACITORS: MFD/VOLTS
O-ORANGE Y-YELLOW	
R-RED N-BROWN	

CONNECTOR PIN NUMBER:

1 2 3 → 7 ← EXAMPLE: PIN 7 OF CONNECTOR J5

8 → J5 14 ←

LATCH

VIEW OF CONNECTOR ON PCB ELECTRICAL SYMBOLS PER E1537

