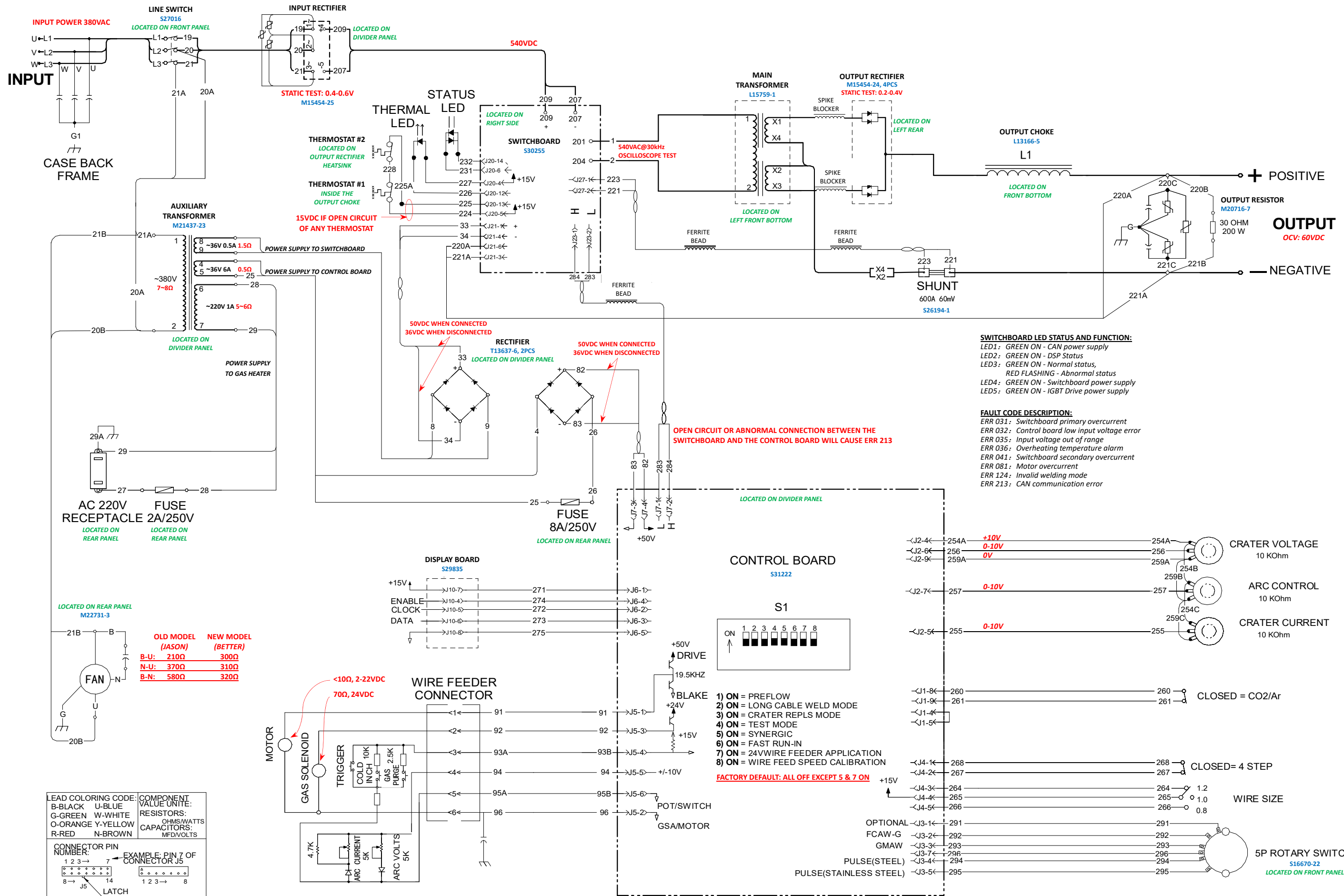


# OPTIMARC CV350P WIRING SCHEMATIC

CODE: 76345



**SWITCHBOARD LED STATUS AND FUNCTION:**  
LED1: GREEN ON - CAN power supply  
LED2: GREEN ON - DSP Status  
LED3: GREEN ON - Normal status,  
RED FLASHING - Abnormal status  
LED4: GREEN ON - Switchboard power supply  
LED5: GREEN ON - IGBT Drive power supply

**FAULT CODE DESCRIPTION:**  
ERR 031: Switchboard primary overcurrent  
ERR 032: Control board low input voltage error  
ERR 035: Input voltage out of range  
ERR 036: Overheating temperature alarm  
ERR 041: Switchboard secondary overcurrent  
ERR 081: Motor overcurrent  
ERR 124: Invalid welding mode  
ERR 213: CAN communication error

OPEN CIRCUIT OR ABNORMAL CONNECTION BETWEEN THE SWITCHBOARD AND THE CONTROL BOARD WILL CAUSE ERR 213

LEAD COLORING CODE:	COMPONENT VALUE UNITS:
B-BLACK	U-BLUE
G-GREEN	W-WHITE
O-ORANGE	Y-YELLOW
R-RED	N-BROWN
	RESISTORS: OHMS/WATTS
	CAPACITORS: MFD/VOLTS

CONNECTOR PIN NUMBER: EXAMPLE: PIN 7 OF CONNECTOR J5

VIEW OF CONNECTOR ON PCB ELECTRICAL SYMBOLS PER E1537

