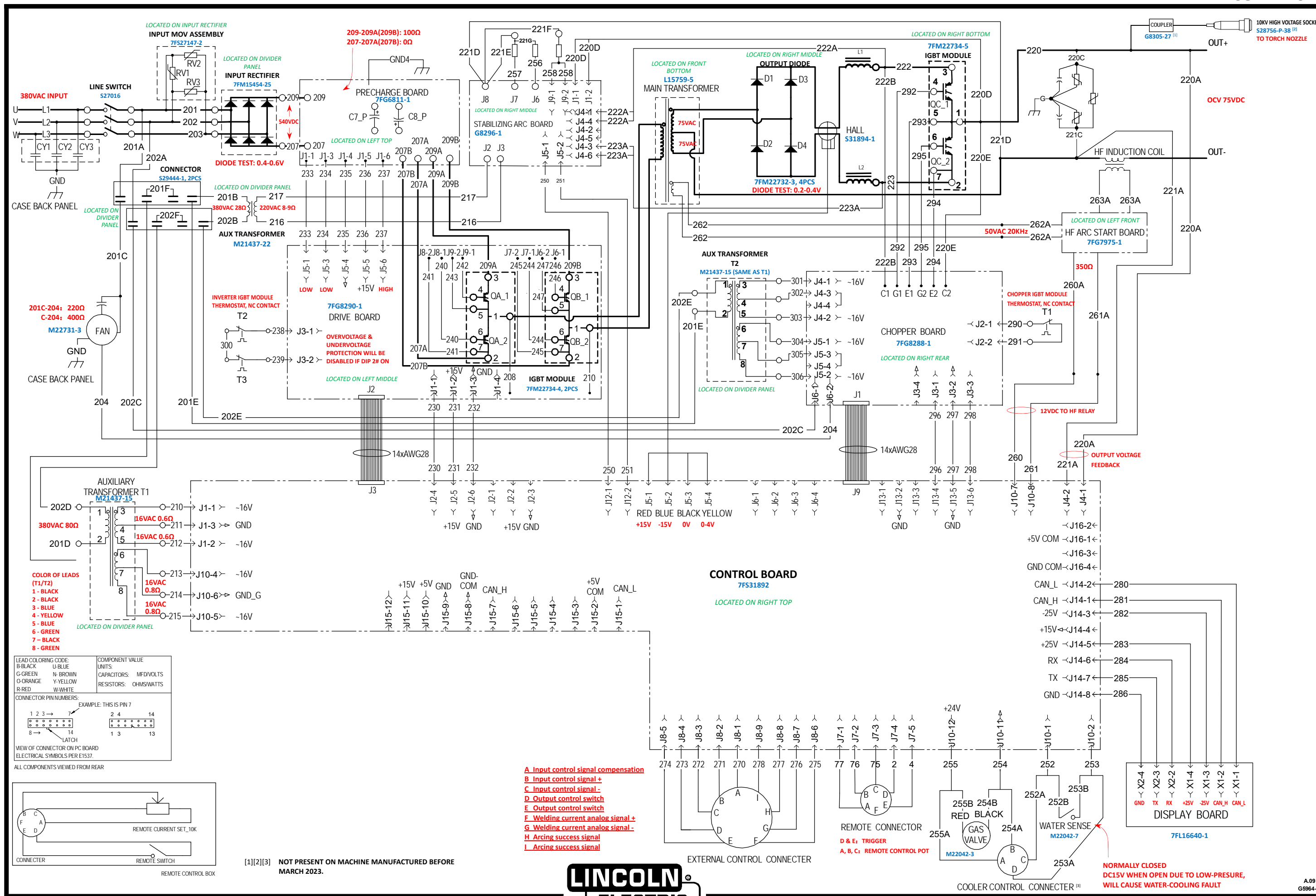


OPTIMARC AC/DC 350-TP EXPORT WIRING SCHEMATIC

CODE: 76251



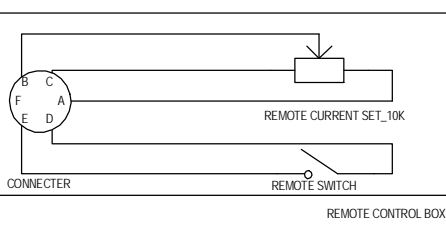
| LEAD COLORING CODE: | COMPONENT VALUE UNITS: |
|---------------------|------------------------|
| B-BLACK | U-BLUE |
| G-GREEN | N-BROWN |
| O-ORANGE | Y-YELLOW |
| R-RED | W-WHITE |

CONNECTOR PIN NUMBERS:

EXAMPLE: THIS IS PIN 7

VIEW OF CONNECTOR ON PC BOARD ELECTRICAL SYMBOLS PER E1537.

ALL COMPONENTS VIEWED FROM REAR



- A. Input control signal compensation
- B. Input control signal +
- C. Input control signal -
- D. Output control switch
- E. Output control switch
- F. Welding current analog signal +
- G. Welding current analog signal -
- H. Arcing success signal
- I. Arcing success signal

[1][2][3] NOT PRESENT ON MACHINE MANUFACTURED BEFORE MARCH 2023.

