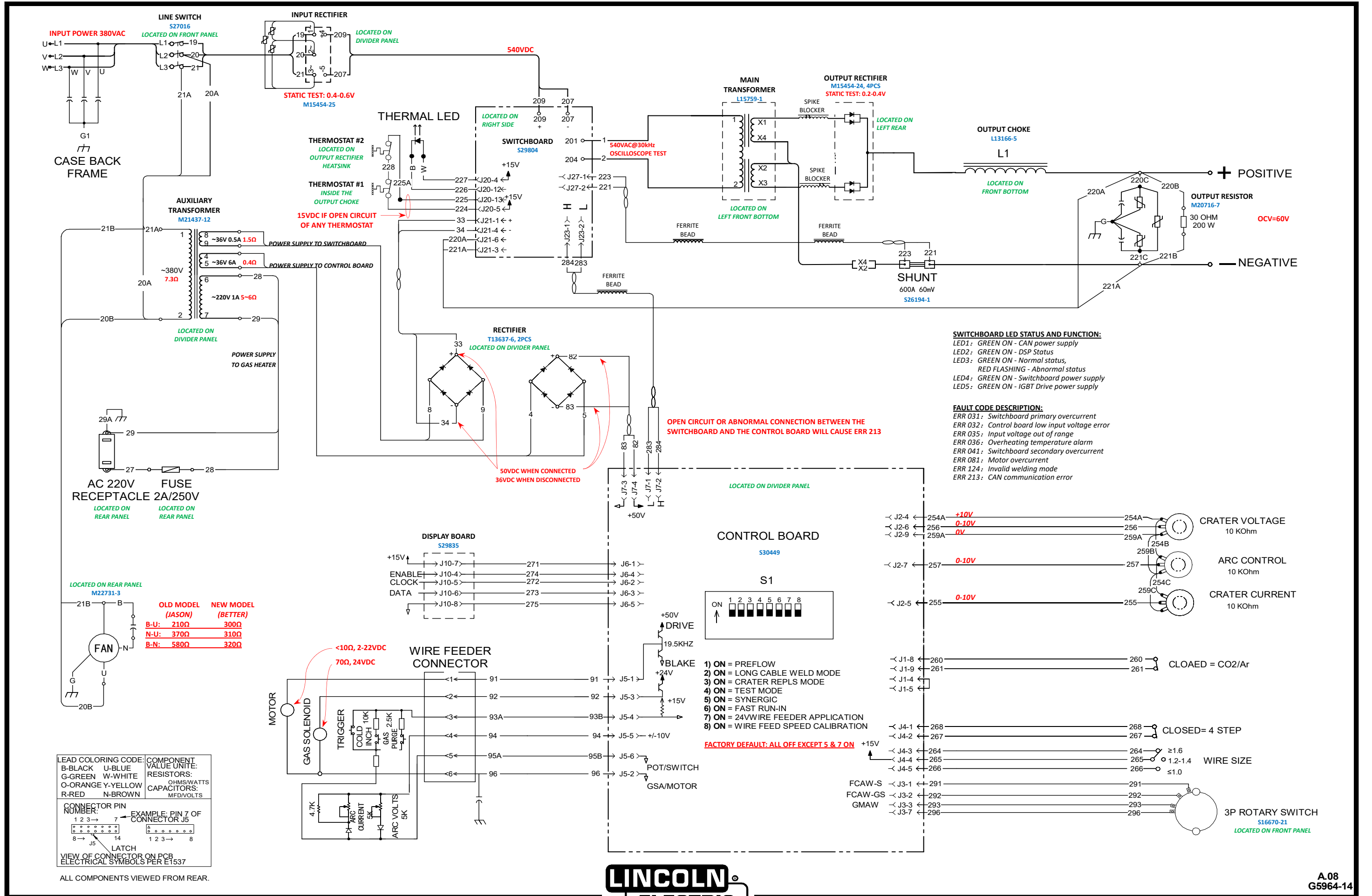


OPTIMARC CV500 WIRING SCHEMATIC

CODE: 76207



PRINT TO 8.50 X 11.00 OR A3

| | |
|---|---|
| LEAD COLORING CODE: B-BLACK U-BLUE G-GREEN W-WHITE O-ORANGE Y-YELLOW R-RED N-BROWN | COMPONENT VALUE UNITS: RESISTORS: OHMS/WATTS CAPACITORS: MFD/VOLTS |
| CONNECTOR PIN NUMBER: 1 2 3 → 8 → | EXAMPLE: PIN 7 OF CONNECTOR J5 1 2 3 → 8 → |
| VIEW OF CONNECTOR ON PCB ELECTRICAL SYMBOLS PER E1537 | |

ALL COMPONENTS VIEWED FROM REAR.



A.08
G5964-14