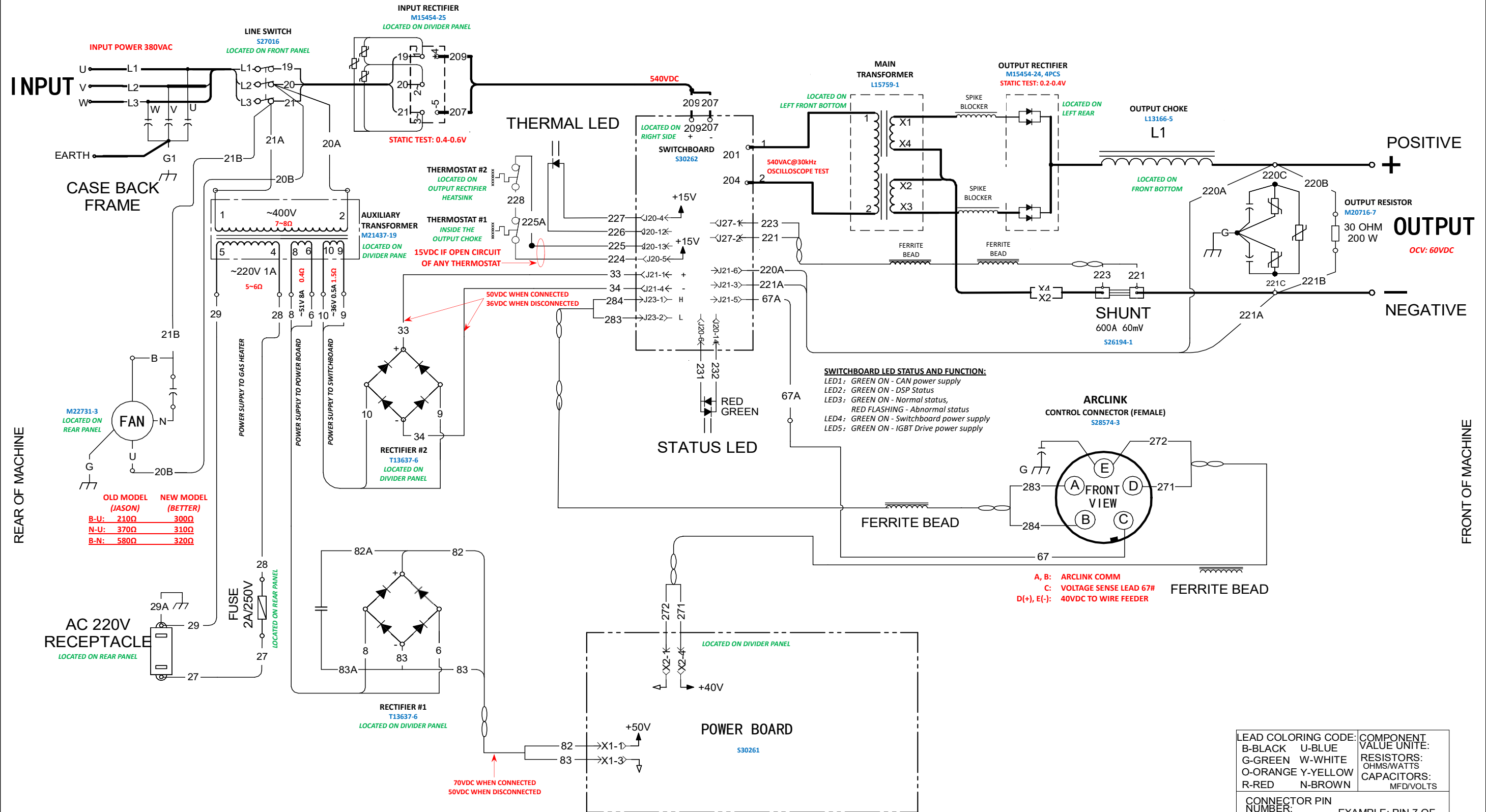


OPTIMARC 500PA WIRING SCHEMATIC

CODE: 76259



LEAD COLORING CODE:	COMPONENT VALUE UNITS:
B-BLACK U-BLUE	RESISTORS: OHMS/WATTS
G-GREEN W-WHITE	CAPACITORS: MFD/VOLTS
O-ORANGE Y-YELLOW	
R-RED N-BROWN	

CONNECTOR PIN NUMBER:	EXAMPLE: PIN 7 OF CONNECTOR J5
1 2 3 →	7 ←
8 →	14 ←
LATCH	
VIEW OF CONNECTOR ON PCB	
ELECTRICAL SYMBOLS PER E1537	