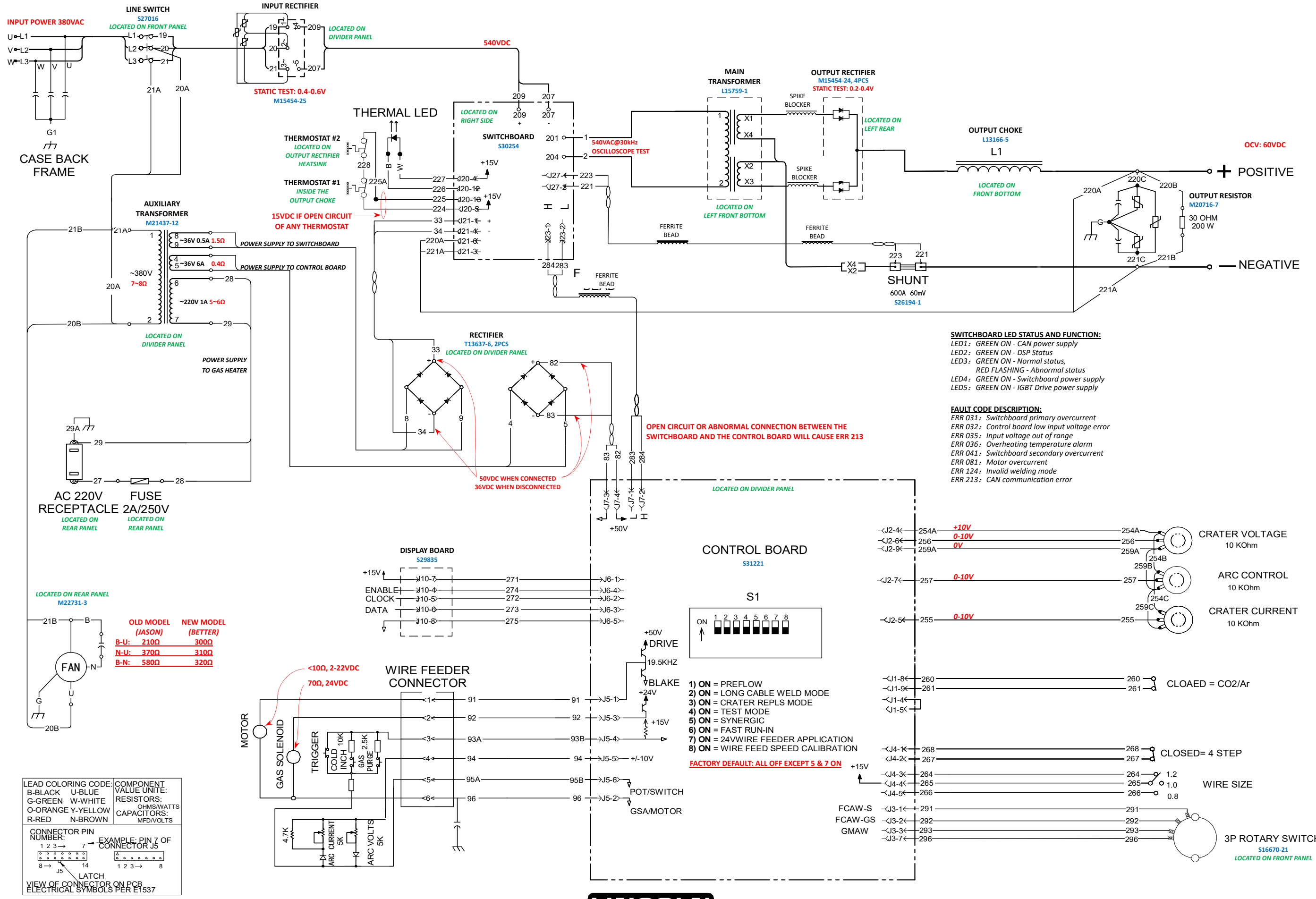


OPTIMARC CV350 WIRING SCHEMATIC

CODE: 76241



LEAD COLORING CODE:	COMPONENT VALUE UNITS:
B-BLACK	U-BLUE
G-GREEN	W-WHITE
O-ORANGE	Y-YELLOW
R-RED	N-BROWN

RESISTORS:	CAPACITORS:
OHMS/WATTS	MFD/VOLTS

CONNECTOR PIN NUMBER:

EXAMPLE: PIN 7 OF CONNECTOR J5

VIEW OF CONNECTOR ON PCB ELECTRICAL SYMBOLS PER E1537

